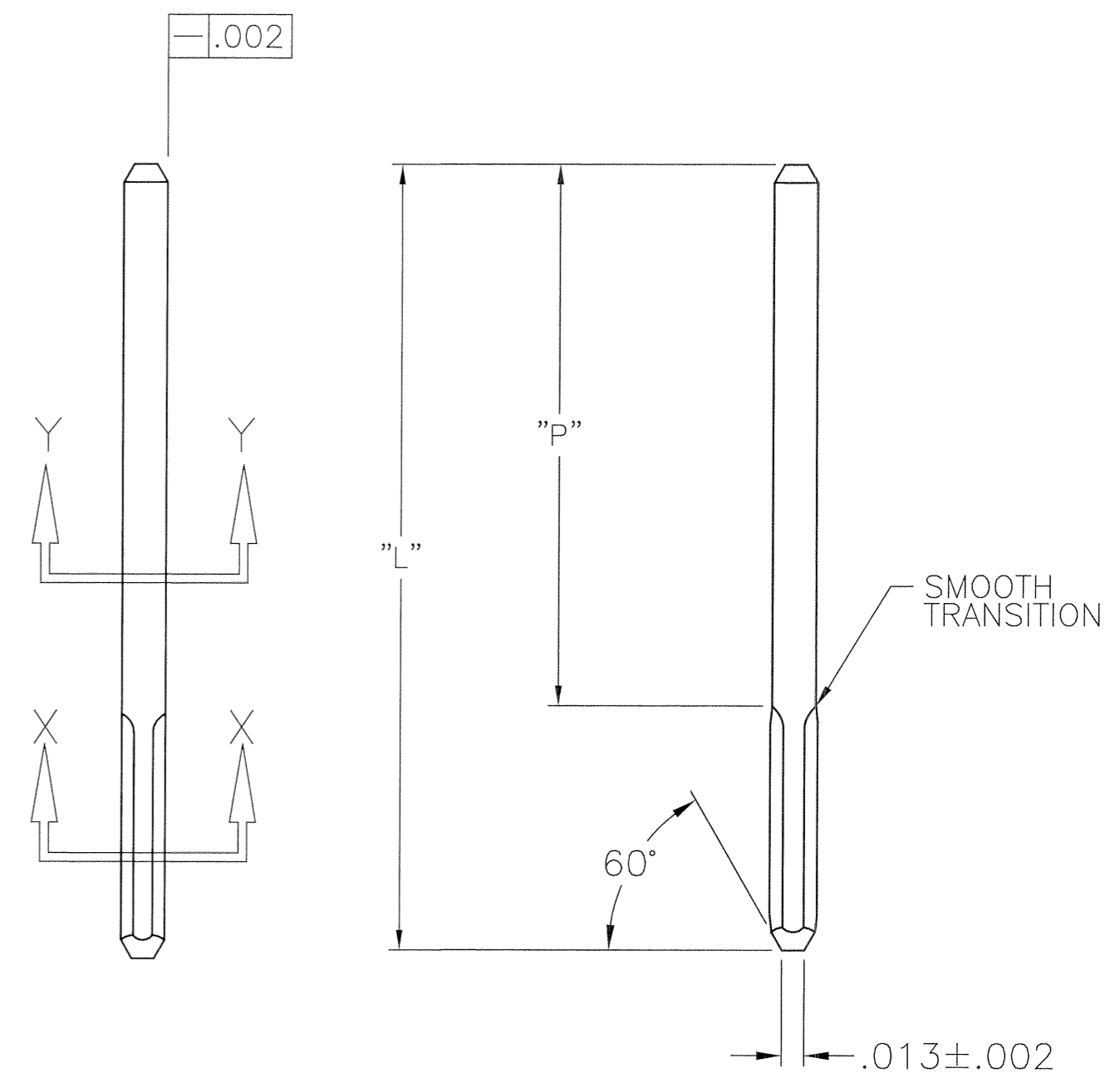
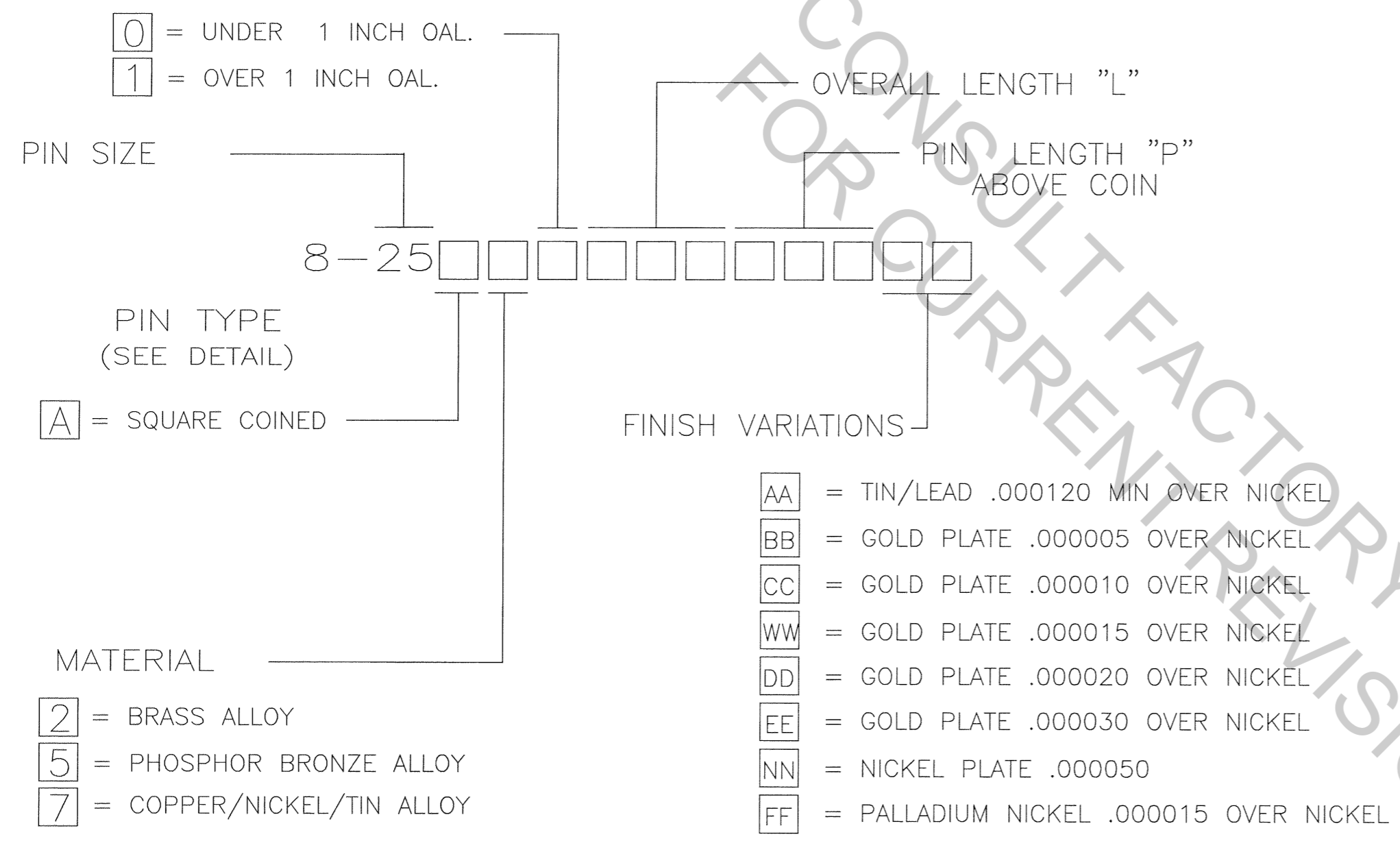


REV	REVISION RECORD	ECN	BY	APVD	DATE
A	INITIAL RELEASE	14183	MAC	JB	6-05-96
B	PER ECN 14471	14471	MAC	JB	10-9-96

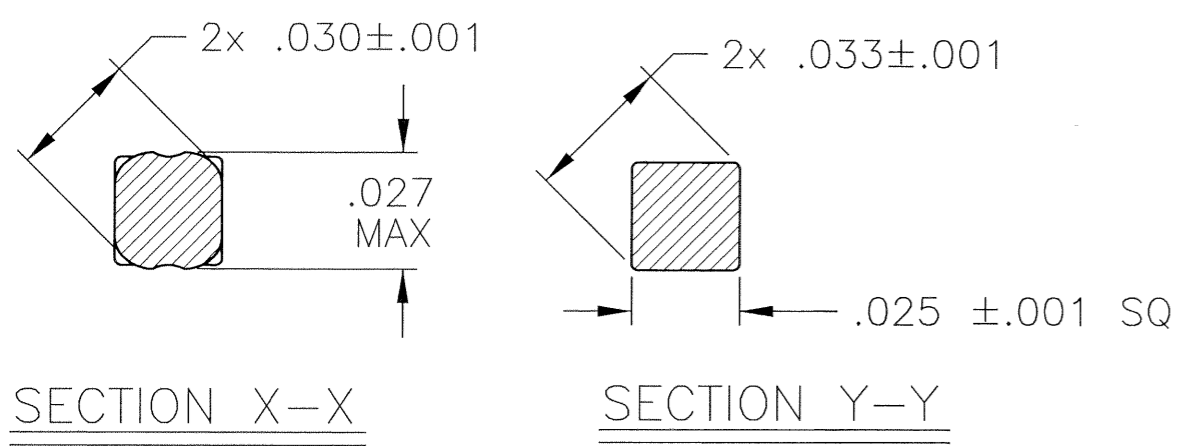
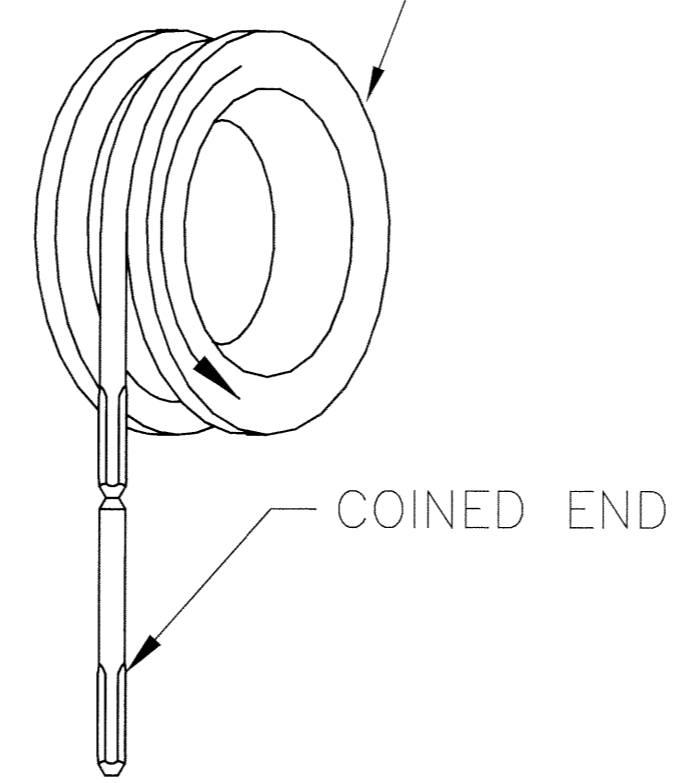
NOTE: UNLESS OTHERWISE SPECIFIED

1. INTERPRET DRAWING IN ACCORDANCE WITH ANSI Y14.5-1982.
2. REMOVED
3. PITCH CONSISTENCY TO BE WITHIN ± 0.005 OVER 3.000 INCHES.
4. PART TO BE SUPPLIED ON A CONTINUOUS REEL.
5. ALL DIMENSIONS APPLY AFTER PLATING.

PART NUMBER BREAKDOWN



REELING ORIENTATION
 AP/2 REEL
 (24" O.D. x 20" I.D.)



SQUARE COINED DETAIL

CUSTOMER DRAWING

ALL DIMENSIONS ARE IN INCHES	AUTOSPlice INC. 10121 Barnes Canyon Road San Diego, California 92121 (619) 535-0077	
	THIRD ANGLE PROJECTION 	DRAWN BY MAC M APPROVED BY J BIANCA
DECIMAL: XX = ± 0.01 XXX = ± 0.005	DATE 6-05-96 DATE 6-05-96	
ANGULAR: $\pm 5^\circ$	TITLE AUTOPIN/2 DETAIL PART DRAWING	
SIZE C FSCM. NO. 0AE89 DRAWING NUMBER C8-25A	REV. B SCALE: NONE CAD FILE NO. C08-25AXXXX AND REV. SHEET 1 OF 1	

This drawing and the information set forth hereon are the property of Autossplice, Inc. and are to be held in trust and confidence. Publication, duplication, disclosure, or use for any purpose not expressly authorized in writing by Autossplice, Inc. is prohibited.